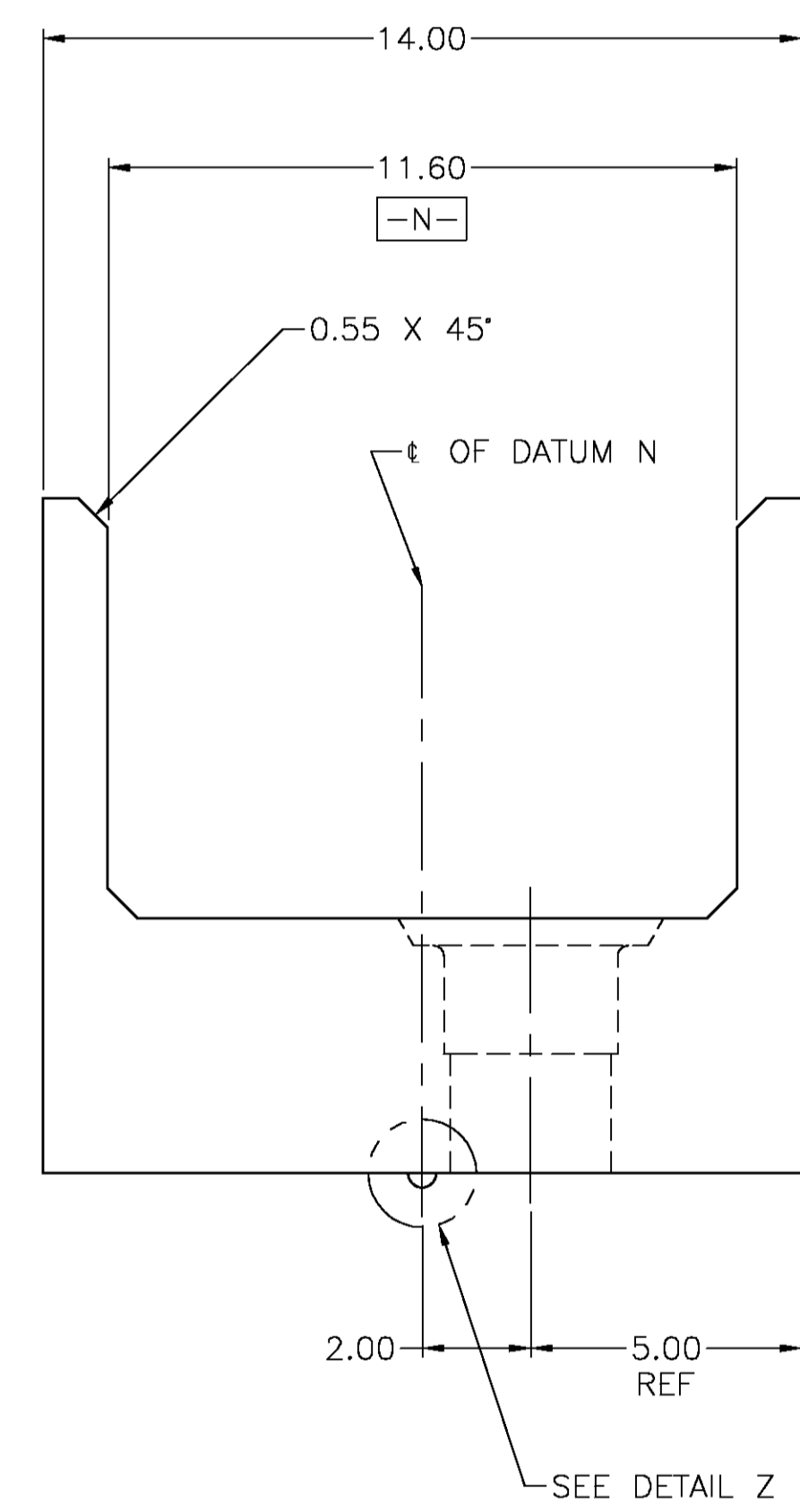
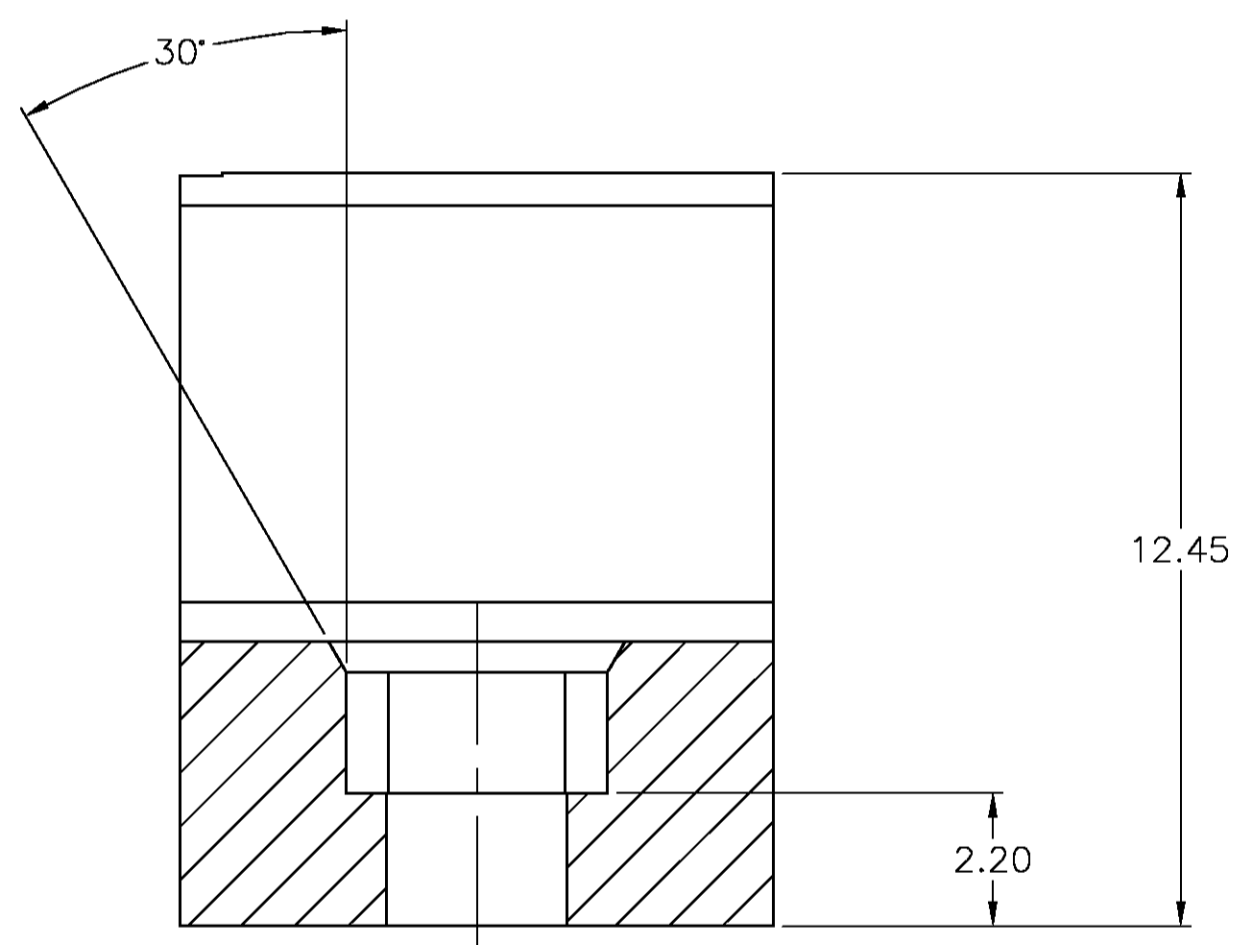
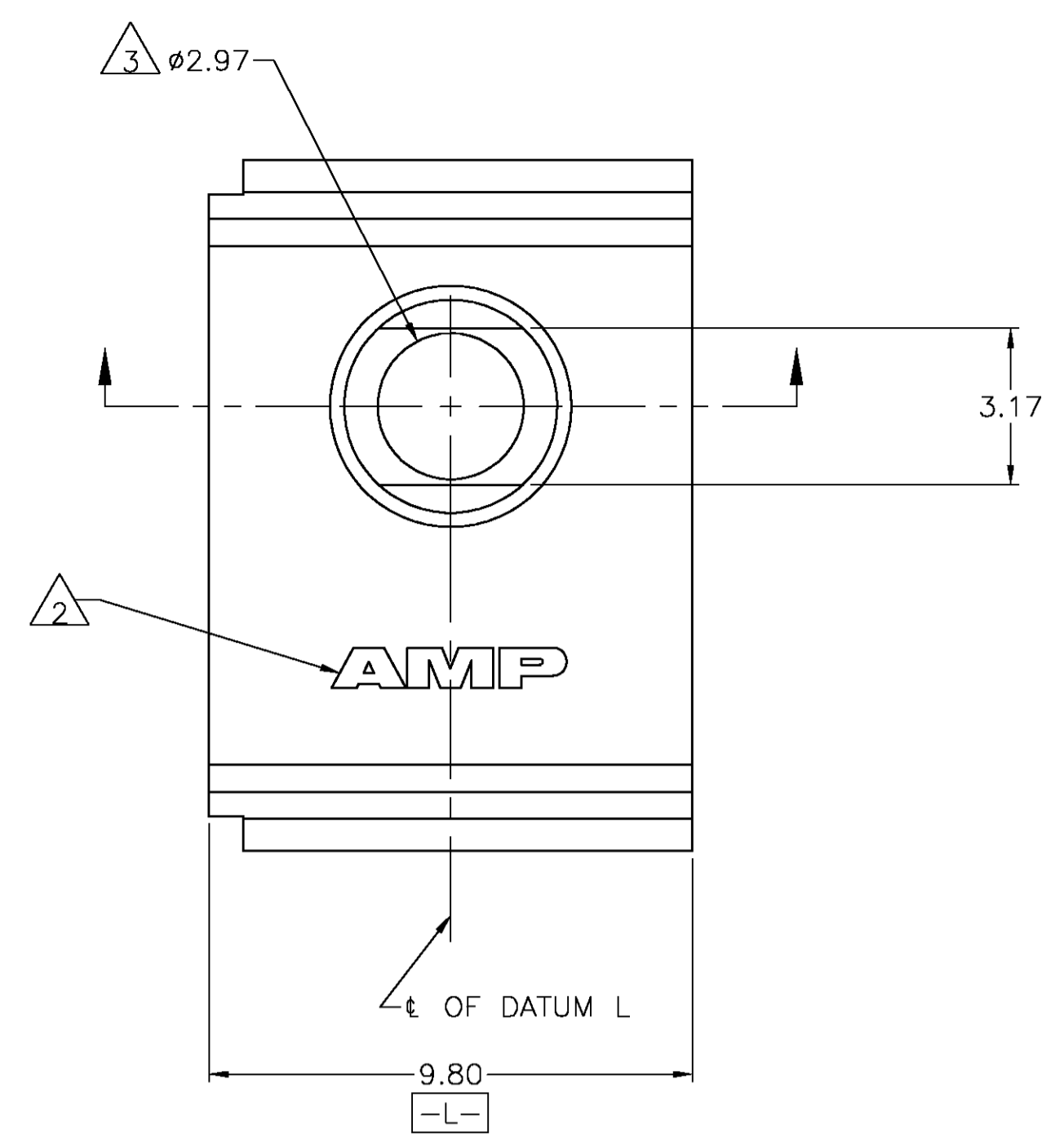
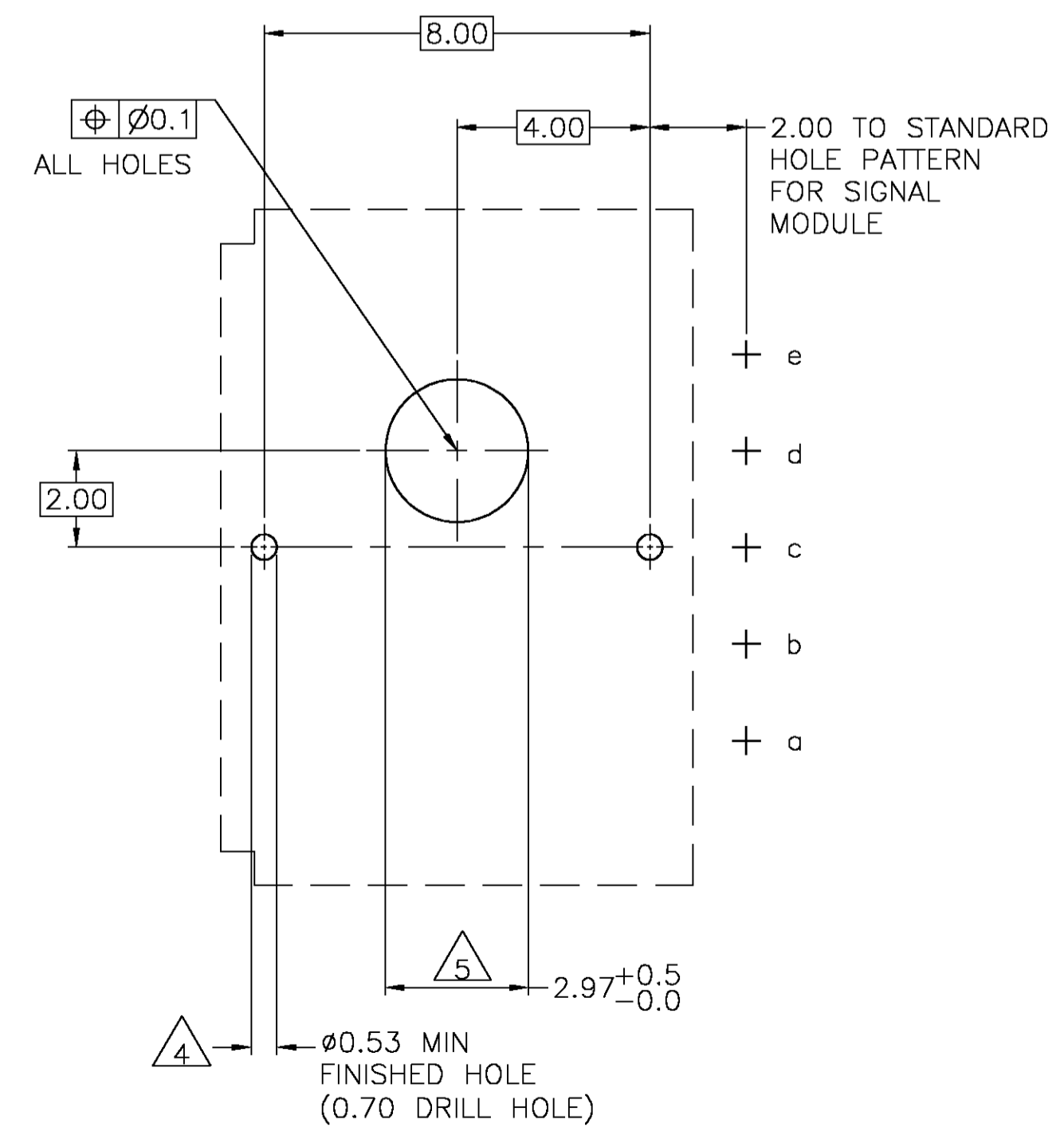


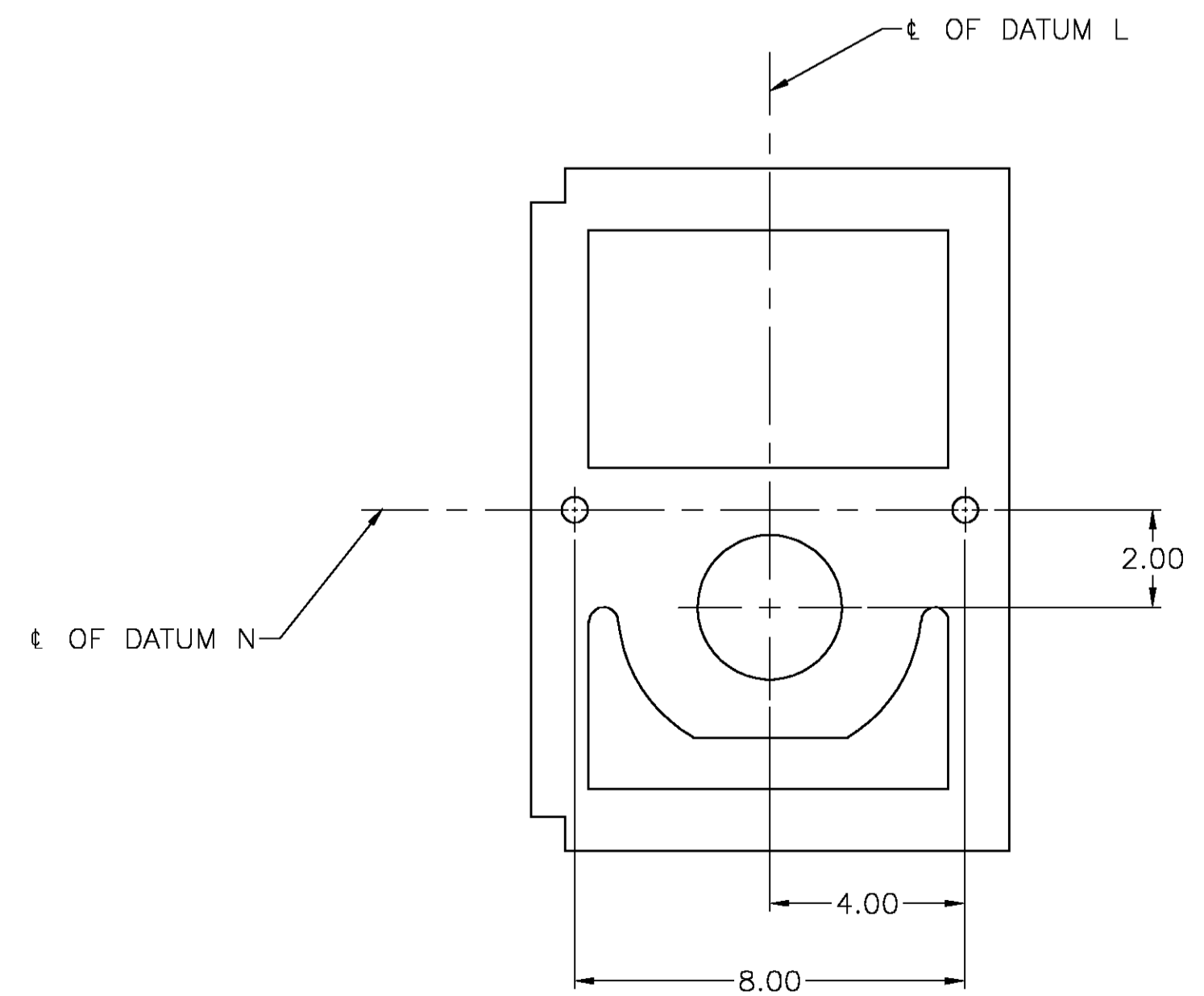
DETAIL Z
SCALE 20:1



- 1 MATERIAL: GLASS FILLED POLYESTER, GRAY.
- 2 AMP TRADEMARK RECESSED.
- 3 THIS PART HAS A THRU HOLE TO ACCEPT A POWER/GUIDE PIN, AMP BASE PART NO 532828.
- 4 LOCATING HOLES NEED NOT BE PLATED THRU HOLES. BUT LOCATING NIPPLE IS DESIGNED TO FIT MIN PLATED THRU HOLE Ø0.55mm FINISHED.
- 5 PLATED THRU HOLE FOR POWER APPLICATION ONLY.
- 6 SAME AS -1. SPECIAL PART FOR NORTEL AND THEIR CONTRACT MANUFACTURERS.



RECOMMENDED PCB-HOLE LAYOUT
COMPONENT SIDE



THIS DRAWING IS A CONTROLLED DOCUMENT.		D.R.BENDER 12/02/92 L.A.BARKUS 03/04/93 L.A.BARKUS 03/04/93	tyco Electronics Tyco Electronics Corporation Harrisburg, Pa 17105-3608
DIMENSIONS: mm 0 PLC ± - 1 PLC ± - 2 PLC ± - 3 PLC ± 0.1 4 PLC ± - ANGLES ± -	TOLERANCES UNLESS OTHERWISE SPECIFIED: 0 PLC ± - 1 PLC ± - 2 PLC ± - 3 PLC ± 0.1 4 PLC ± - ANGLES ± -	NAME: POWER/GUIDE PIN HOUSING PRODUCT SPEC: MOLDED, 2mm HM APPLICATION SPEC:	SIZE: A1 CAGE CODE: 00779 DRAWING NO: 646274 RESTRICTED TO:
MATERIAL: 1	FINISH: -	WEIGHT: -	CUSTOMER DRAWING SCALE: 8:1 SHEET: 1 OF 1 REV: B

646274-8
646274-1
PART NUMBER